

**International Twelve Metre Association
2019 North American Championships
And
The North American Cup**

SAILING INSTRUCTIONS

Ida Lewis Yacht Club
Organizing Authority

12mR Americas Fleet
Host

**Newport, Rhode Island, USA.
September 19-22, 2019**

1. RULES:

- 1.1** The Regatta will be governed by the rules as defined in the Racing Rules of Sailing (RRS).
- 1.2** ITMA/12 Metre Class By-Laws & Regulations as of July 2, 2008, updated November 11, 2011 and the ITMA/12 Metre Class Rule as of November 1, 2018 and any subsequent amendments.
- 1.3** The Equipment Rules of Sailing shall apply.
- 1.4** The Protest Committee may impose suitable penalties at its own discretion, other than disqualification for violations of the Class Rules, or other non Part I or Part II rules of the RRS.
- 1.5** In the event that a crew member falls overboard and is no longer connected to the yacht, she shall:
 - a) retire from the race
 - b) notify the Race Committee on the fleet VHF channel that she has a man overboard
 - c) her score in this case shall be equal to the number of starters for that race without a hearing. The scoring abbreviation will be MOBThis changes RRS 63.1, A4, A5 and A11. However, her obligations as per RRS 1.1 are not changed.
- 1.6** A boat touching the Race Committee signal boat or the buoys attached to the signal boat at any time will be scored DSQ for that race without a hearing. This changes RRS 63.1 and A5.

2. NOTICE TO COMPETITORS - Notices to competitors will be posted on the Official Notice Board.

- 2.1** On Friday, Saturday (Sept. 20 & 21) and through 0930 hrs on Sunday (Sept. 22) the Official Notice Board will be located next to the dock house at Bannister's Wharf.
- 2.2** On Sunday (Sept. 22) after 0930 hrs the Official Notice Board will be located on the west side of the Ida Lewis YC clubhouse.

3. CHANGES TO SAILING INSTRUCTIONS.

- 3.1.** Changes to the Sailing Instruction will be posted before 0830 on the day it will take effect; except,
- 3.2** Any change to the schedule of races will be posted by 2000 on the day before it will take effect.

4. Signals Made Ashore

- 4.1** Signals made ashore will be displayed from the flagpole at the end of Bannister's Wharf.
- 4.2** When flag "AP" is displayed ashore, "1 minute" is replaced with "not less than 60 minutes" in race signal "AP".

5. SCHEDULE OF RACES

- 5.1** A maximum of EIGHT (8) Windward-Leeward ("W/L") races are scheduled . No more than three (3) W/L races will be sailed on any one day.
- 5.2** The Race Committee may run a "Race to the Harbor" race following the last W/L racing on Friday, September 20, and Saturday, September 21. If it intends to do so, the Race Committee will fly code flag "R" on the Signal boat at the finish of the last W/L race and announce its intention on VHF channel 79A.
- 5.3** The first warning signal is scheduled for 1100 each day.
- 5.4** On Sunday, September 22, no warning signal will be made after 1500 hrs.

6. CLASS FLAGS

Class 1 – All Divisions Numeral Pennant 1

7. RACING AREA

7.1 Races will be held on the waters of Narragansett Bay or Rhode Island Sound.

7.2 The Rendezvous area will be signaled at 0900 each day from the flagpole at Bannister's Wharf and announced on VHF Channel 79A .

7.3 Rendezvous Areas are as follows (see Attachment B):

Area A – southwest of R"2", Brenton Point

Area R – south of Halfway Rock, East Passage, Narragansett Bay.

8. THE COURSES

8.1 **Windward-Leeward** courses (Course "W") . See Appendix A.

8.1.1 The number of legs, and the approximate heading of and distance to the first mark will be displayed on a white board on the Race Committee Signal Boat no later than the warning signal.

8.1.2 For all W/L courses, there will be an offset mark after the original windward mark. No offset mark will be set after a changed windward mark is set . The distance between the weather mark and the offset shall not be counted as a leg.

8.1.3 Marks, including the windward offset mark, shall be rounded in order and always left to port, except that a gate, when used, shall be rounded as described in rule 28.2(c).

8.1.4 A gate may be set as the Leeward Mark for "W".

8.1.5 For Course W, the leeward mark will be approximately 0.1 NM to windward of the starting line.

8.2 **The "Race to the Harbor"** course will be "navigator" courses with the marks chosen from the South Bay Race Chart.

8.2.1 The marks, in the order they are to be rounded or passed and the side they are to be left to, will be displayed on a white board on the Race Committee Signal Boat no later than the warning signal.

8.2.2 The Race Committee may set a Special Race Mark to facilitate an upwind start, in which case it shall list that mark as SRM #1 with the side it is to be left to on the course board and along with its the approximate heading and distance from the Signal Boat.

8.2.3 The finish line for the "Race to the Harbor" shall be between Rose Island and Ft. Adams.

9. MARKS

9.1 Rounding marks will be orange tetrahedrons. The offset mark shall be an orange sphere.

9.2 A new mark, as provided for in SI 11.1 will be a yellow tetrahedron.

9.3 The starting pin-end mark will be a Green mark.

9.4 The finish pin-end mark will be an Red mark.

9.5 SRM #1, if set, will be an orange tetrahedron.

10. THE START

10.1 Races will be started in accordance with rule 26.

10.2 The starting line will be between a staff displaying an orange flag on the Race Committee Signal Boat at the starboard end and course side of the port-end starting mark.

10.3 A boat starting later than 5 minutes after her starting signal will be scored Did Not Start without a hearing. This changes rules A4 and A5.

10.4 The Race Committee will endeavor to hail each premature starter over channel 79A. Failure to make such an announcement, the number of times an announcement is made, or the order in which a particular boat is hailed shall not be grounds for redress. This changes rule 62.1 (a).

11. CHANGE OF THE NEXT LEG OF THE COURSE

11.1 In addition to the requirements of rule 33, to change the next leg of the course, the race committee will lay a new mark (or move the finishing line) and remove the original mark as soon as practicable. When, in a subsequent change a new mark is replaced, it will be replaced with an original mark.

11.2 If the weather mark is moved after the first leg of a race, then there will not be an offset set for that or any subsequent leg of the race.

12. THE FINISH

- 12.1** The finish line will be between a staff displaying a blue flag on the Race Committee Boat and the course side of the pin-end finishing mark.
- 12.2** The finish line Race Committee Boat will notify each boat by VHF (Channel 79A) after they finish if there will be a "Race to the Harbor" race or no more racing that day.

13. PENALTY SYSTEM –

- 13.1** The Scoring Penalty, RRS 44.3 will apply. The penalty will be (1) place.
- 13.2** Boats that have accepted a scoring penalty shall complete a Scoring Penalty Form and present it to the Protest Committee Secretary at the Protest Desk prior to the expiration of the Protest Time Limit on the date the Scoring Penalty was accepted.

14. TIME LIMITS

- 14.1** The time limit for the first boat in division to complete the course in a race is 2.5 hours.
- 14.2** Any boats failing to finish within 30 minutes of the first boat in her division to sail the course and finish will be scored TLE without a hearing. For the North American Championships, the 30 minutes shall be based on elapsed time. For the North American Cup, the 30 minutes shall be based on corrected time.
- 14.3** A boat scored TLE shall receive points equal to the number of boats that finished within the 30 minute window for that race plus one. This changes Rules 35.1, A4.1 and A5.

15. PROTESTS AND REQUESTS FOR REDRESS

- 15.1** On Friday and Sturday (Sept. 20 & 21) the Protest forms will be available from the Protest Desk on Bannisters Wharf. On Sunday (Sept. 22) the Protest Desk will be at Ida Lewis YC.
- 15.2** Protests and requests for redress shall be delivered to the Protest Desk within the appropriate time limit.
- 15.3** The protest time limit is one (1) hour after the Race Committee Signal Boat docks after the last race of the day. The protest time limit will be posted on the official notice board.
- 15.4** Notices will be posted no later than 20 minutes after the protest time limit to inform competitors of hearing in which they are parties or named as witnesses. Hearings on Friday and Saturday (Sept. 20 and 21) will be held at the Seamen's Church Institute; and on Sunday (Sept. 22) in the regatta protest room at Ida Lewis Yacht Club. Representatives of boats who are parties to a hearing shall remain on call in the vicinity of the protest room. Failure of a boat to appear when called for a hearing will be considered by the Protest Committee as grounds for proceeding under rule 63.3(b).
- 15.5** A boat shall report and receive acknowledgement of its intention to protest and the yacht being protested immediately after the finish of the race to the Race Committee by radio on VHF 79A.
- 15.6** A list of boats that accepted a scoring penalty will be posted on the Official Notice Board.
- 15.7** Rule 63.5 is changed by adding — "A protest involving contact may be heard by the Protest Committee even though the requirements of rule 61.1(a) and 61.3 have not been fulfilled."
- 15.8** Penalties, if any, for breaches of rules other than rules of Part 2 may be less than disqualification, if the Protest Committee so decides. This changes rule 64.1(a).
- 15.9** Breaches of SIs 17 and 19 will not be grounds for a protest by a yacht. This changes rule 60.1(a).
- 15.10** On the last day of racing a request for redress based on a Protest Committee decision shall be delivered no later than 30 minutes after the decision was posted. This changes RRS 62.2.

16. SCORING

- 16.1** For the North American Championships, the entries shall be scored by 12 Metre Class Divisions (GP, Modern, Traditional, Vintage). For the North American Cup, all entries shall be scored as a single division.
- 16.2** For the North American Championships, only finishes in the W/L races will be included in determining a boat's total score. For the North American Cup, finishes in the W/L races and the "Race(s) to the Harbor" will be include in determining a boat's total score.
- 16.3** The Low Point scoring system of Appendix A will apply.
- 16.4** A boat's series score, for both the North American Championships and the North American Cup shall be the total of all her race scores. This changes rule A2.
- 16.5** One completed race will constitute a regatta.

17. SAFETY REGULATIONS

- 17.1** Check In – prior to the first warning of each day all yachts shall check in with the Race Committee by hailing them on VHF 79A and reporting their number and name until acknowledged.
- 17.2** A yacht that retires shall notify the Race Committee as soon as possible.
- 17.3** In the event that life saving equipment is lost overboard, it should be retrieved. If recovery is impossible, loss of any equipment that floats shall be reported immediately to the Race Committee and to the nearest U.S. Coast Guard station on VHF Channel 16.

18. SUPPORT BOATS - Support boats shall stay outside of a 100 yard radius of any boat that is racing.

19. RADIO COMMUNICATIONS

- 19.1** Except in an emergency, a boat shall neither make radio transmissions while racing nor receive radio communications not available to all boats. This restriction also applies to mobile telephones and any other wireless device.
- 19.2** From one hour prior to the scheduled first warning of the day until a boat has finished racing for the day, it may not receive weather, current, or navigational information except from a publicized source available at no cost to all competitors. Subscription, password protected or restricted access web pages are considered private information and may not be used for the transmission or reception of specialized weather information.
- 19.3** General use of the Internet and publicly available web sites to obtain weather including all National Weather Service data is authorized. Weather data developed specifically for the Race may not be received while racing.
- 19.4** The race committee will utilize VHF Channel 79A for communications with competing boats for race information, recalls, change of course, etc. Failure to do so shall not be grounds for seeking redress.

20. PRIZES - As per the Notice of Race

21. NOTES

- 21.1** Competitors are reminded that Narragansett Bay is a restricted channel and sailing vessels do not have right of way over a vessel under power which may be restricted in her ability to maneuver.
- 21.2** In the event there is racing in Narragansett Bay, competitors should be aware of heightened security around the Navy base in Newport just to the north of the Newport Jamestown Bridge. The area to the along the coast of the Naval Facilities from Coasters Harbor to the breakwater at the north end of Coddington Cove marked by a series of white buoys shall rank as an obstruction. Yachts shall not enter this area.
- 21.3 DISCLAIMER OF LIABILITY** - Competitors participate in the regatta entirely at their own risk. See RRS 4, Decision to Race. The Organizing Authority, the 12 Metre Class and any sponsors will not accept any liability for material damage or personal injury or death sustained in conjunction with or prior to, during, or after the regatta Attention is also drawn to ISAF Offshore Special Regulation 1.02, Responsibility of the Person in Charge, as well as the "Waiver and Release of Liability".
- 21.4 MEDIA RELEASE:** Competitors and crew members on the competing yachts grant, at no cost, to ITMA, the 12M Americas Fleet, Inc., Ida Lewis Yacht Club, sponsors and affiliated companies the absolute right and permission to use their name, voice, image, likeness, biographical material and representations of the boats in any media World-wide (including but not limited to television, video, print and electronic media), for the purposes of advertising, promoting, reporting and disseminating information.

22. OTHER INFORMATION

Race Officials

Principal Race Officer: Peter Gerard (12mRAmericasFleet@gmail.com)
 Protest Committee Chairman: Richard Gumpert (dickgumpert@gmail.com)

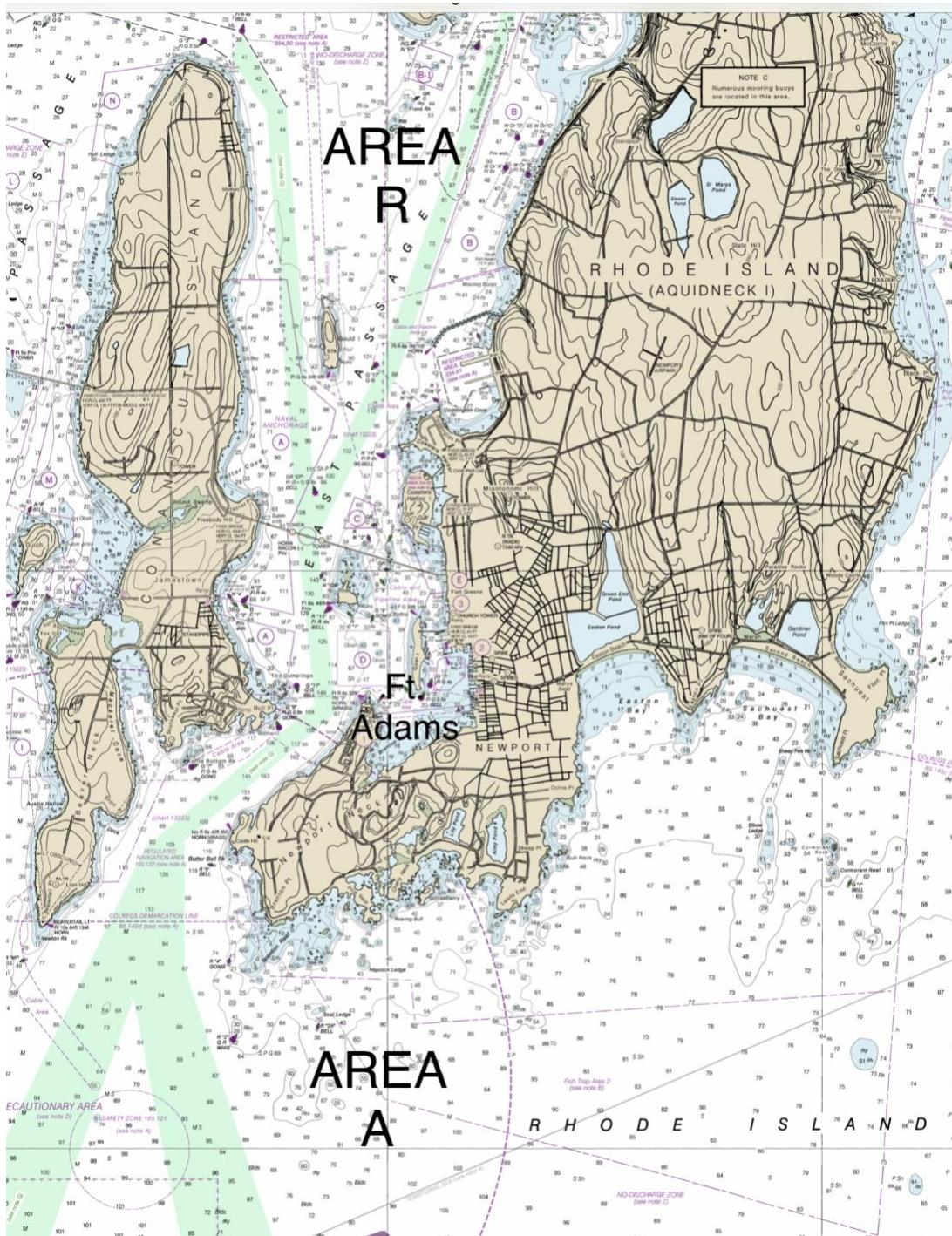
Ida Lewis Yacht Club

Commodore Dan Faria
 Race Commmitte Chair Bill O’Hanley (racecommittee@ilyc.org)

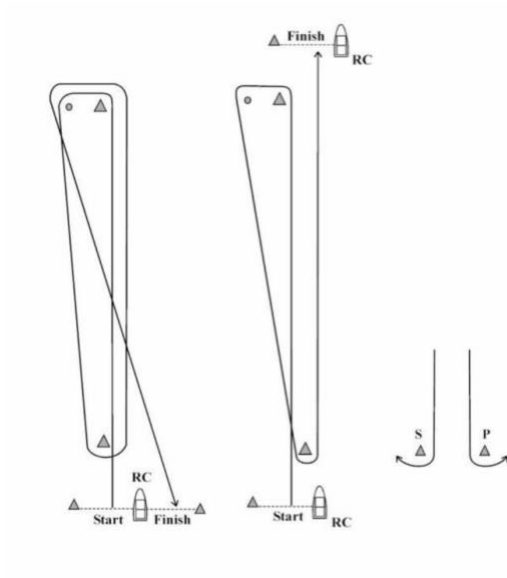
Class Web Site 12mrclass.com
 Ida Lewis YC Web Site ilyc.org

APPENDIX A

RENDEZVOUS AREAS



Course "W"



EVEN
No. of Legs

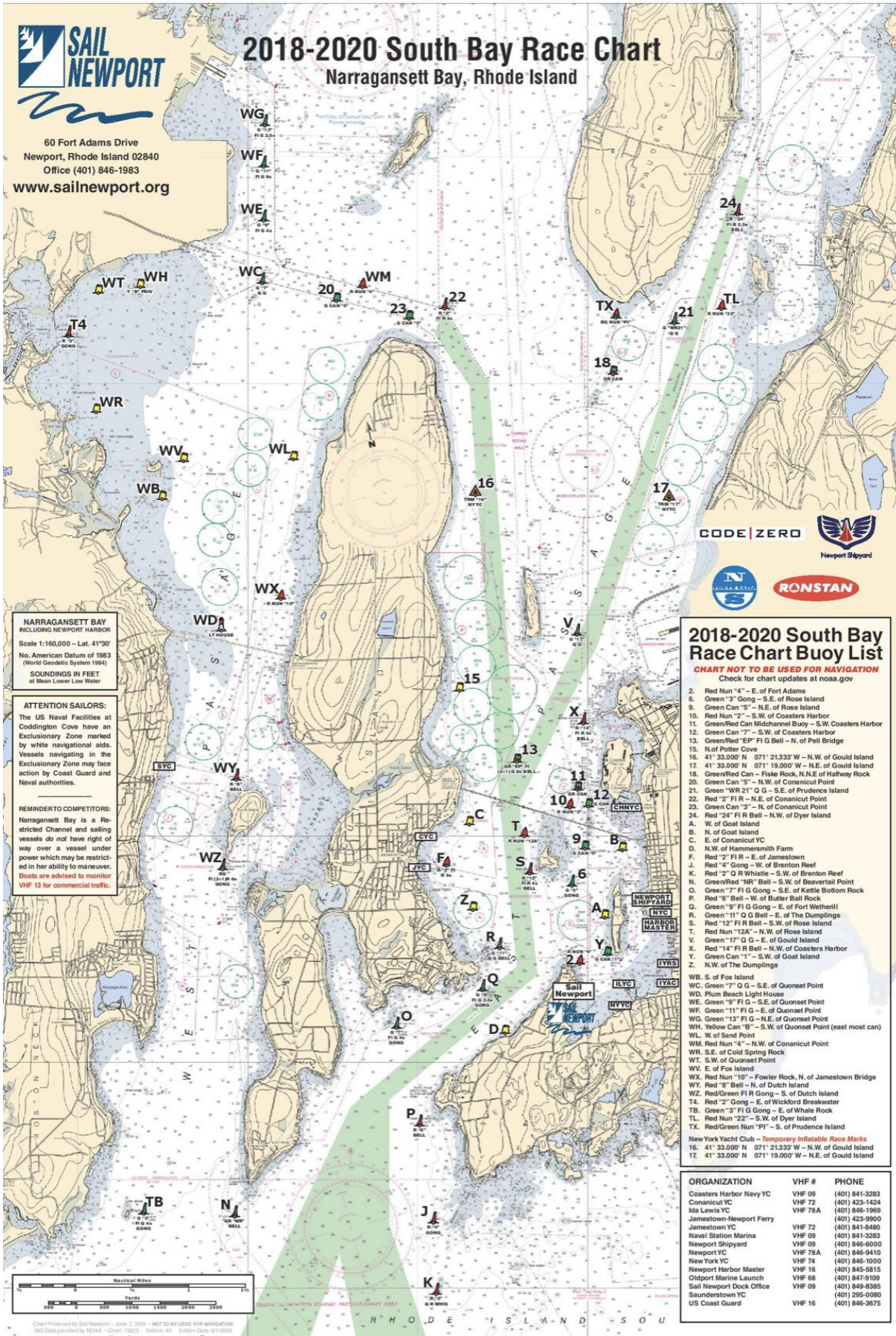
ODD
No. of Legs



60 Fort Adams Drive
Newport, Rhode Island 02840
Office (401) 846-1983
www.sailnewport.org

2018-2020 South Bay Race Chart

Narragansett Bay, Rhode Island



NARRAGANSETT BAY
INCLUDING NEWPORT HARBOR
Scale 1:160,000 - Lat. 41°30'
No. American Datum of 1983
(World Geodetic System 1984)
SOUNDINGS IN FEET
at Mean Lower Low Water

ATTENTION SAILORS:
The US Naval Facilities at
Coddington Cove have an
Exclusionary Zone marked
by white navigational aids.
Vessels navigating in the
Exclusionary Zone may face
action by Coast Guard and
Naval authorities.

REMINDE TO COMPETITORS:
Narragansett Bay is a
Restricted Channel and sailing
vessels do not have right of
way over a vessel under
power which may be restricted
in her ability to maneuver.
Boats are advised to monitor
VHF 13 for commercial traffic.

2018-2020 South Bay Race Chart Buoy List

CHART NOT TO BE USED FOR NAVIGATION
Check for chart updates at noaa.gov

2. Red Nun "4" - E. of Fort Adams
 6. Green "3" Gong - S.E. of Rose Island
 9. Green Can "5" - N.E. of Coasters Harbor
 10. Red Nun "2" - S.W. of Coasters Harbor
 11. Green/Red Can Midchannel Buoy - S.W. Coasters Harbor
 12. Green Can "7" - S.W. of Coasters Harbor
 13. Green/Red "EP" Fl G Bell - N. of Pell Bridge
 15. Nuff Peter Cove
 16. 41° 33.000' N 071° 21.333' W - N.W. of Gould Island
 17. 41° 33.000' N 071° 19.000' W - N.E. of Gould Island
 18. Green/Red Can - Fiske Rock, N.E. of Halfway Rock
 20. Green Can "5" - N.W. of Conanicut Point
 21. Green "WR 21" G - S.E. of Prudence Island
 22. Red "2" Fl R - N.E. of Conanicut Point
 23. Green Can "5" - N. of Conanicut Point
 24. Red "24" Fl R Bell - N.W. of Dyer Island
 - A. W. of Goat Island
 - B. N. of Goat Island
 - C. E. of Conanicut Yc
 - D. N.W. of Hammett Farm
 - F. Red "2" Fl R - E. of Jamestown
 - J. Red "4" Gong - W. of Brenton Reef
 - K. Red "2" Q R Whistle - S.W. of Brenton Reef
 - N. Green/Red "WR" Bell - S.W. of Bowerstail Point
 - O. Green "7" Fl G Gong - S.E. of Kettle Bottom Rock
 - P. Red "6" Bell - W. of Butter Ball Rock
 - Q. Green "9" Fl G Gong - E. of Fort Wethell
 - R. Green "11" Q G Bell - E. of The Dumplings
 - S. Red "12" Fl R Bell - S.W. of Rose Island
 - T. Red Nun "12A" - N.W. of Rose Island
 - U. Green "11" Q G - E. of Gould Island
 - X. Red "14" Fl R Bell - N.W. of Coasters Harbor
 - Y. Green Can "1" - S.W. of Gould Island
 - Z. N.W. of The Dumpings
 - WB. S. of Fox Island
 - WC. Green "7" Q G - S.E. of Quonset Point
 - WD. Plum Beach Light House
 - WE. Green "3" Fl G - S.E. of Quonset Point
 - WF. Green "11" Q G - E. of Conanicut Point
 - WG. Green "13" Fl G - N.E. of Quonset Point
 - WH. Yellow Can "B" - S.W. of Quonset Point (east most can)
 - WL. W. of Sand Point
 - WM. Red Nun "4" - N.W. of Conanicut Point
 - WR. S.E. of Cold Spring Rock
 - WT. S.W. of Quonset Point
 - WV. E. of Fox Island
 - WX. Red Nun "10" - Fowler Rock, N. of Jamestown Bridge
 - WY. Red "8" Bell - N. of Dutch Island
 - WZ. Red/Green Fl R Gong - S. of Dutch Island
 - T4. Red "2" Gong - E. of Wickford Breakwater
 - TB. Green "3" Fl G Gong - E. of Whale Rock
 - TL. Red Nun "22" - S.W. of Dyer Island
 - TX. Red/Green Nun "PI" - S. of Prudence Island
- New York Yacht Club - Temporary Inflatable Race Marks
16. 41° 33.000' N 071° 21.333' W - N.W. of Gould Island
17. 41° 33.000' N 071° 19.000' W - N.E. of Gould Island

ORGANIZATION	VHF #	PHONE
Coasters Harbor Navy YC	VHF 09	(401) 841-3283
Conanicut YC	VHF 72	(401) 423-1424
Ida Lewis YC	VHF 78A	(401) 846-1969
Jamestown-Newport Ferry	VHF 72	(401) 423-9900
Jamestown YC	VHF 72	(401) 841-8480
Naval Station Marina	VHF 09	(401) 841-3283
Newport Shipyard	VHF 09	(401) 846-6000
Newport YC	VHF 78A	(401) 846-9410
New York YC	VHF 74	(401) 846-1000
Newport Harbor Master	VHF 16	(401) 845-5815
Oldport Marine Launch	VHF 68	(401) 847-9109
Sail Newport Dock Office	VHF 09	(401) 849-8385
Saundersdown YC	VHF 09	(401) 295-0080
US Coast Guard	VHF 16	(401) 846-3675

Chart Produced by Sail Newport - June 1, 2018 - NOT TO BE USED FOR NAVIGATION
GIS Data courtesy NOAA - Chart 13023 - Edition 40 - Edition Date 01/2008